

Warranty



To receive after sales service, have the following ready when you contact our branches

1. Name of the product
2. Model number of the product
3. The area of problem
4. Phone number and address at which you can be contacted.

Warranty Card

PRODUCT	
MODEL	
DATE PURCHASED	
WARRANTY PERIOD	
AGENCY	
AGENCY ADDRESS	

◎ **KOCOM** Warranties the original purchaser of this product as follows.

- 1) This product is produced under strict quality control and inspection procedures.
- 2) If this product breaks down during proper use as a result of product defect, **KOCOM** will repair it within one year from date of purchase free of charge.
- 3) The following cases will be subject to charge, even during warranty period:
 - a. Breakdown during transport, or through careless treatment, by consumer.
 - b. Breakdown caused by unauthorized repair, or system modification.
 - c. Breakdown caused by natural disaster or power disorder.

KOCOM CO.,LTD.

This manual is based on the date as shown in the right and specifications are subject to change without notice for quality improvement.

09.04

KOCOM

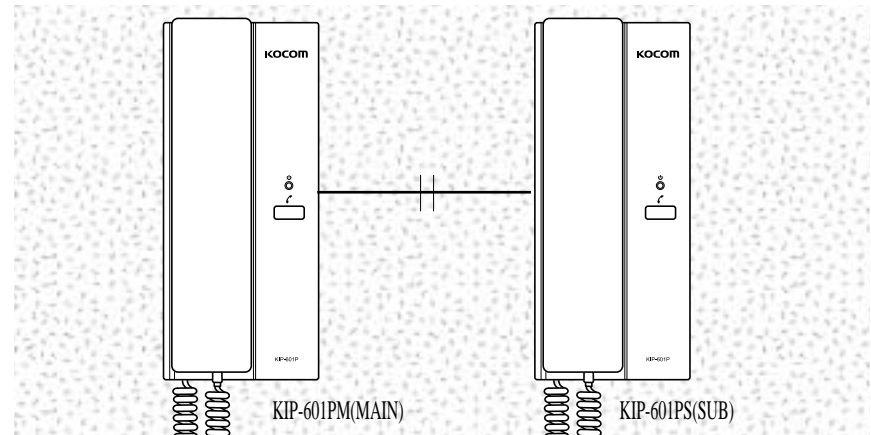
DIRECT INTERPHONE

KIP-601PM / KIP-601PS MANUAL FOR OPERATION AND INSTALLATION

Features

- Perfect for private conversations
- Delightful sound
- Easy wiring with 2 lines of polarity
- Power : D.C 6V (main only) 4 Piece of 1.5V batteries (one side insert)
- Range: ϕ 0.65 mm wire, 300m line
- Easily mounted on wall, desk

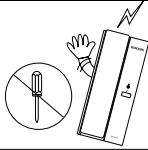
Thank you very much for purchasing **KOCOM** Interphone. please read this manual thoroughly to ensure correct usage, before operating



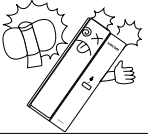
CE

KOCOM CO.,LTD.

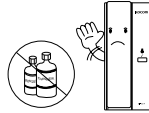
Precautions for Operation



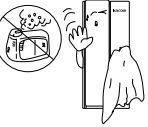
As this device consists of precise electronic components, and high voltage is generated internally, do not attempt to disassemble.



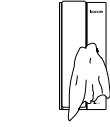
Do not drop Indoor station, and avoid strong impact.



When cleaning, never use wet hands, volatile benzene or paint thinner.

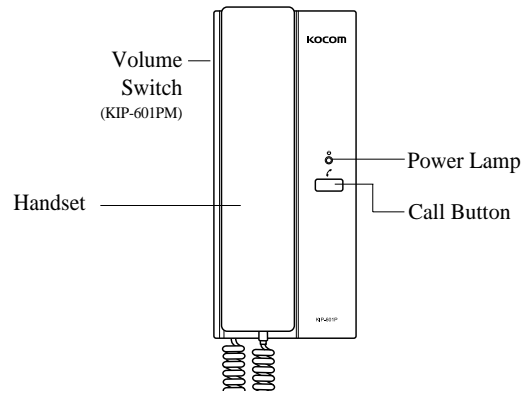


Keep away from humidifier and stove. High temperature and humidity can cause malfunction

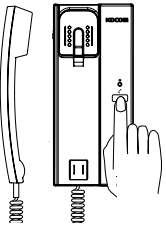


Maintain the product clear by frequently cleaning with soft cloths

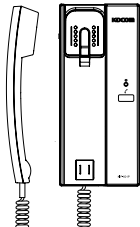
Name of Each Part



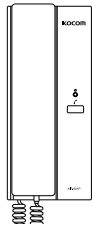
How to operate (Instruction for operating)



When a visitor pushes the main station bell,

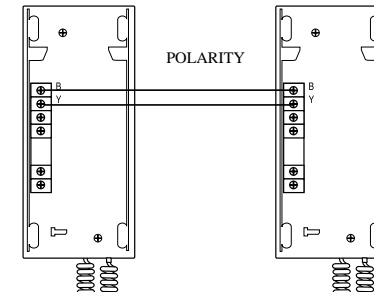


The sub station is ringing.

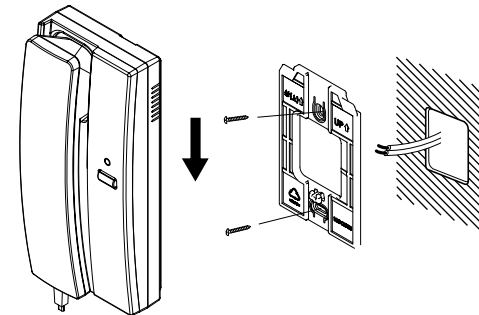


Pick up the handset and communicate with a visitor. After end of communication, return the handset where it is locked

Wring Diagram



Installation



- A- Choose a place on the wall where you want to hang the Indoor station.
- B- Fasten the wall hanger on the wall.
- C- Indoor station can be hung on the wall hanger easily now.

Specifications

Description	KIP-601PM	KIP-601PS
Electric source	DC 6V	Power from Main (KIP-601PM)
Consumption	Un Load: 0.2mW, In Load: 1W	Un Load: 0.2mW, In Load: 1W
Signal Sound	Electronic Chime	Electronic Chime
Wiring	2Wired polarity	2Wired polarity
Range	300m(φ 0.65mm)	300m(φ 0.65mm)